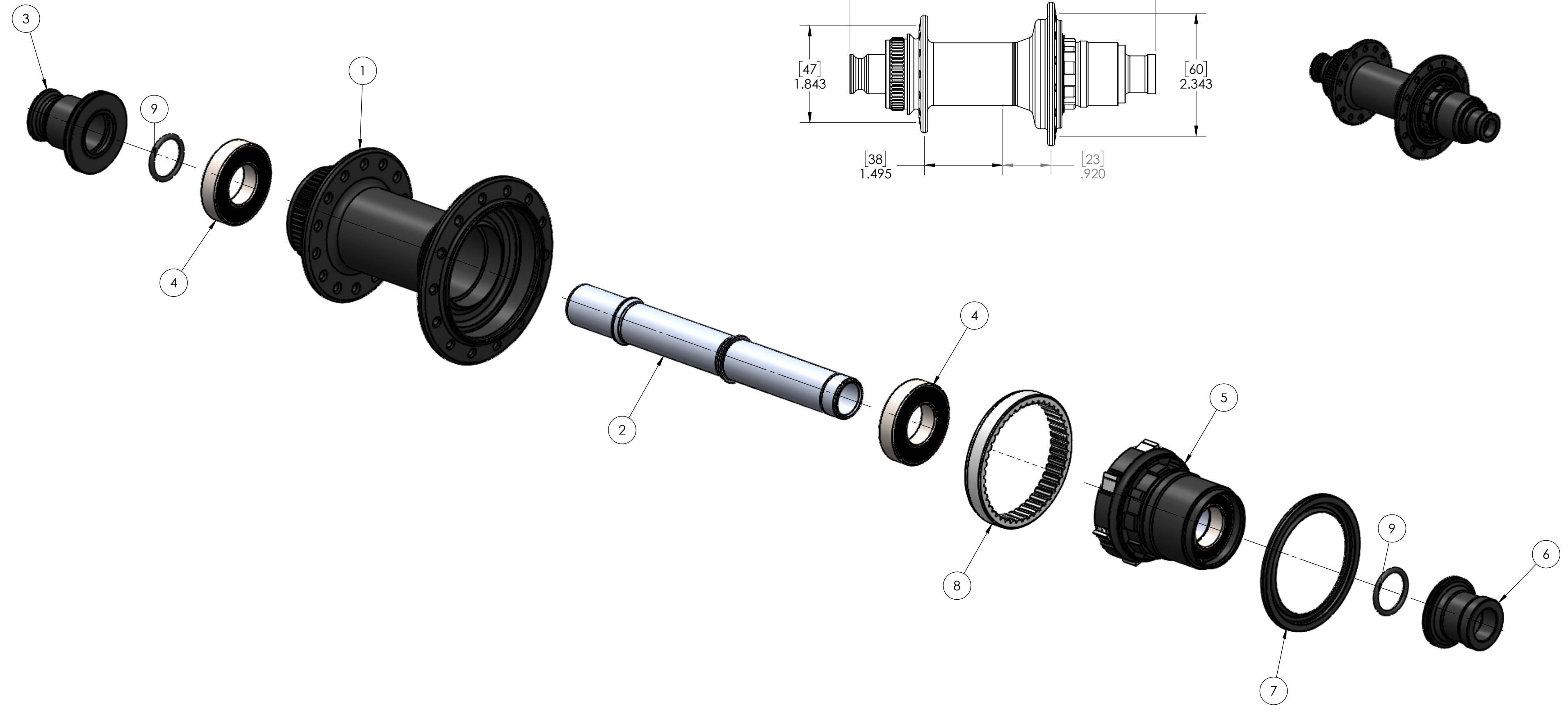
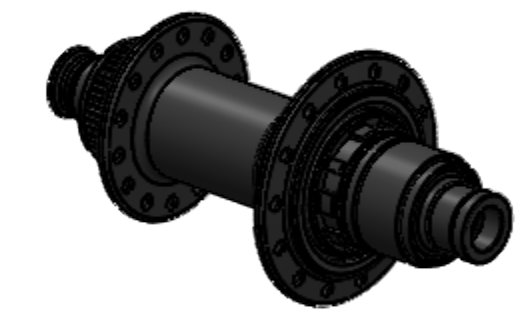
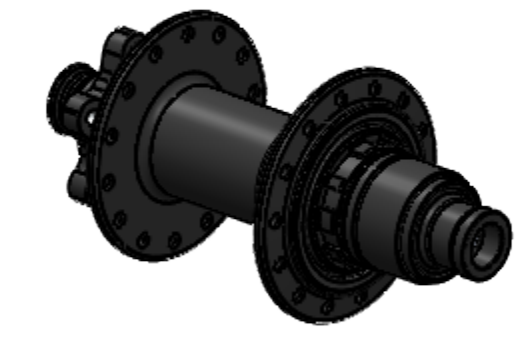
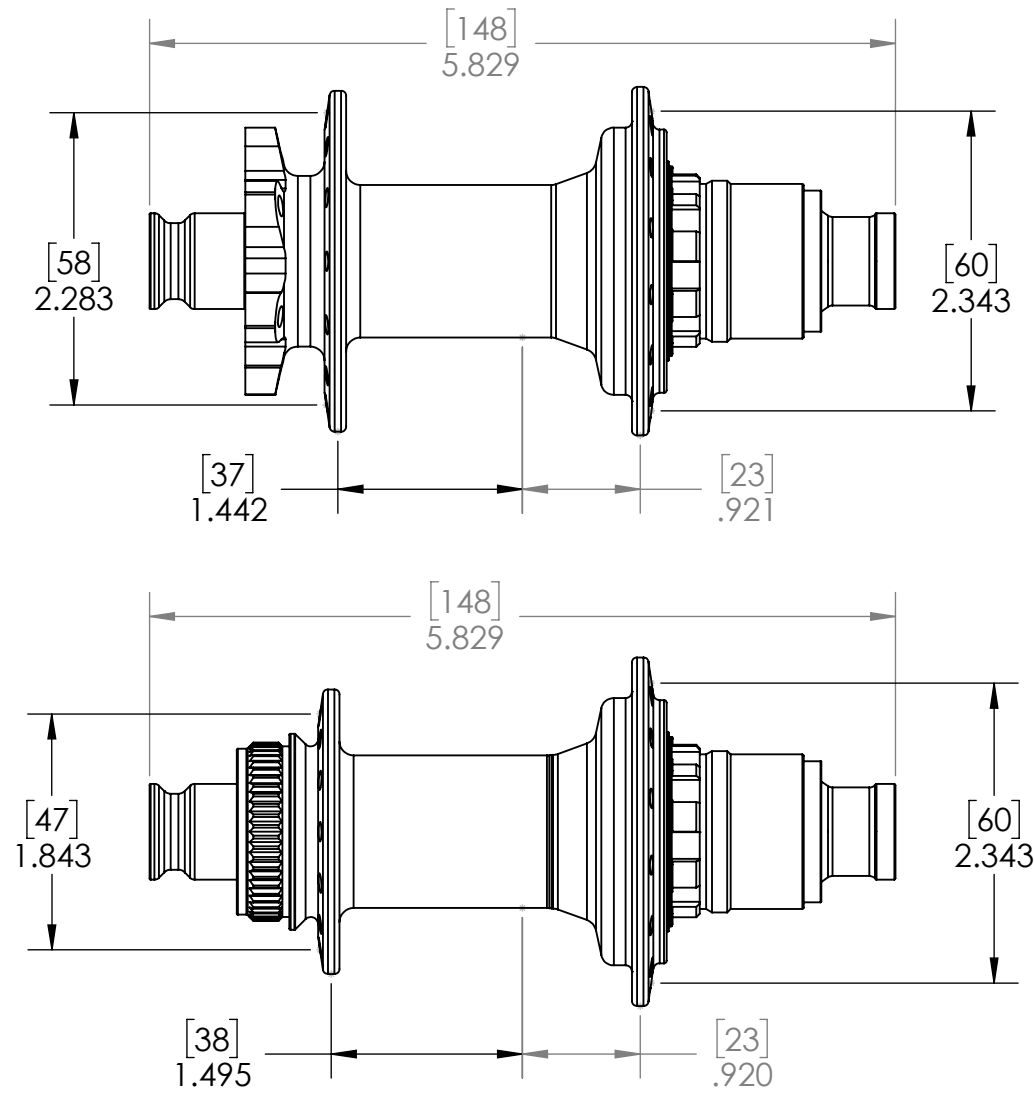


1/1 Mountain Rear Hub Boost Center Lock + 6 Bolt

REVISIONS			
ZONE	REV.	DESCRIPTION	DATE



ITEM NO.	PART NUMBER	DESCRIPTION	QTY.
1	OEHU12XX_12XX	1/1 Hubshell MTN RR 148 Boost - See Hub Spec Table	1
2	OEAX1605	1/1 Axle MNT RR Boost 148	1
3	OEAX1646	1/1 End Cap MTN RR Brake Side 12mm	1
4	BB15307A5	Ball Bearing 15 x 30 x 7	2
5	OEFH15XX	1/1 Freehub - See Freehub BOM	1
6	HAX2637	Hydra & 1/1 12x142_148_157 End Cap Rear Drive Side	1
7	OEFH1534	1/1 Free Hub Seal	1
8	OEFH1531	1/1 45 Tooth Drive Ring	1
9	HAXOR916	1/16 x 9/16 O-Ring	2

Hub Spec	
P/N	Description
OEHU1213	148 ISO 32H
OEHU1216	148 ISO 32H
OEHU1225	148 CL 32H
OEHU1227	148 CL 28H

PROPRIETARY AND CONFIDENTIAL
THE INFORMATION CONTAINED IN THIS DRAWING IS THE SOLE PROPERTY OF INDUSTRY NINE COMPONENTRY. ANY REPRODUCTION IN PART OR AS A WHOLE WITHOUT THE WRITTEN PERMISSION OF INDUSTRY NINE COMPONENTRY IS PROHIBITED.

UNLESS OTHERWISE SPECIFIED:	NAME	DATE
DIMENSIONS ARE IN INCHES	DRAWN	
TOLERANCES:	CHECKED	
FRACTIONAL ±	ENG APPR.	
ANGULAR: MATCH ± BEND ±	MFG APPR.	
TWO PLACE DECIMAL ±	Q.A.	
THREE PLACE DECIMAL ±	COMMENTS:	
INTERPRET GEOMETRIC TOLERANCING PER:		
MATERIAL		
FINISH		
APPLICATION		
DO NOT SCALE DRAWING		

INDUSTRY NINE

TITLE: _____

SIZE DWG. NO. REV

C _____

SCALE: 1:8 WEIGHT: SHEET 1 OF 1