

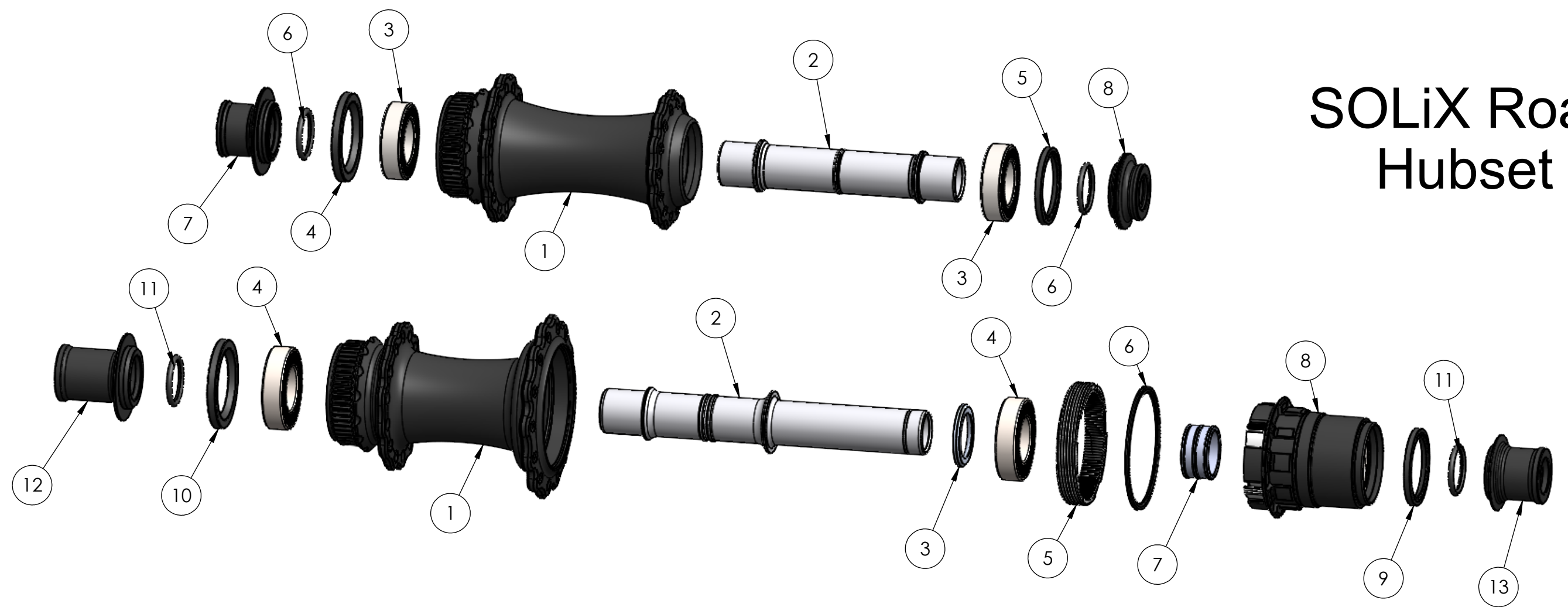
4

3

2

1

SOLiX Road Hubset



REAR HUB BOM

FRONT HUB BOM

FREEHUB SPEC

ITEM NO.	PART NUMBER	DESCRIPTION	QTY.
1	RHU3434	Road Hub RR Classic CL 142 28h	1
2	RAX3672	SOLiX Road Rear Axle	1
3	HAX2699	15mm Stress Riser Washer	1
4	BB61902	Ball Bearing 15 x 28 x 7	2
5	RFH3531	SOLiX 121T Drive Ring	1
6	RFH3534	SOLiX Freehub Seal	1
7	RFH3535	SOLiX External Freehub Spacer	1
8	RFH35XX	Solix Road Freehub - See Freehub Spec Table	1
9	OEAX1640	26mm Radial Lip End Cap Seal	1
10	OEAX1641	30mm Radial Lip End Cap Seal	1
11	HAXOR916	O-Ring 1/16 x 9/16	2
12	RAX3646	SL End Cap Rear NDS	1
13	RAX3637	SL-Hydra-1/1 12x142_148_157 End Cap Rear DS SL	1

ITEM NO.	PART NUMBER	DESCRIPTION	QTY.
1	RHU3433	Road Hub FR Classic CL 100 28h	1
2	RAX3671	SOLiX Road Axle FR	1
3	BB15267A5	Ball Bearing 15 x 26 x 7	2
4	OEAX1641	30mm Radial Lip End Cap Seal	1
5	OEAX1640	26mm Radial Lip End Cap Seal	1
6	HAXOR916	O-Ring 1/16 x 9/16	2
7	RAX3657	SL Road End Cap FR CL NDS 12mm	1
8	RAX3653	SL Road End Cap FR DS 12mm	1

PART NUMBER	DESCRIPTION
RKRFH01	HG-11
RKRFH02	XD-R
RKRFH03	N3W
RKRFH04	MS-R

PROPRIETARY AND CONFIDENTIAL
 THE INFORMATION CONTAINED IN THIS DRAWING IS THE SOLE PROPERTY OF INDUSTRY NINE COMPONENTRY. ANY REPRODUCTION IN PART OR AS A WHOLE WITHOUT THE WRITTEN PERMISSION OF INDUSTRY NINE COMPONENTRY IS PROHIBITED.

		UNLESS OTHERWISE SPECIFIED:	NAME	DATE
		DIMENSIONS ARE IN INCHES TOLERANCES: FRACTIONAL: ± 1/32 ANGULAR: ± 0.5 deg TWO PLACE DECIMAL ±0.01 THREE PLACE DECIMAL ±0.005	DRAWN	
		INTERPRET GEOMETRIC TOLERANCING PER:	CHECKED	
		MATERIAL	ENG APPR.	
NEXT ASSY	USED ON	FINISH	MFG APPR.	
APPLICATION		DO NOT SCALE DRAWING	Q.A.	
			COMMENTS:	

INDUSTRY NINE

TITLE:

SIZE DWG. NO. REV

B

SCALE: 1:1.5 WEIGHT: SHEET 1 OF 1

4

3

2

1

B

B

A

A